



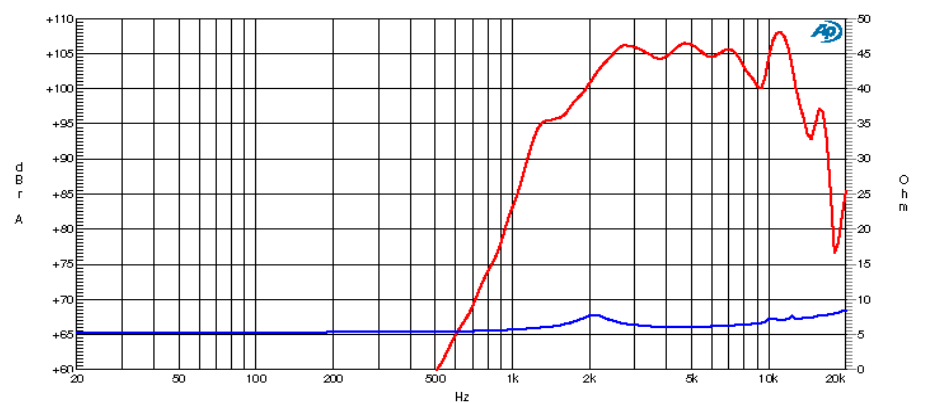
## 1" Ceramic Horn Tweeter

Program Power	200 W
Rated impedance	8 Ohm
Nominal diameter	1" - 26 mm
Sensitivity (2,83V/1m)	105 dB
Voice coil diameter	1 in - 25 mm
Frequency Range	3000-16000 Hz

### SPECIFICATIONS

Nominal Diameter	1" - 26 mm
Rated Impedance	8 Ohm
Nominal Power Handling <sup>1</sup>	75 W
Program Power <sup>2</sup>	200 W
Sensitivity <sup>3</sup>	105 dB
Frequency Range <sup>4</sup>	3000-16000 Hz
Minimum Impedance	-
Flange material	-
Magnet Material	Ferrite
Diaphragm Material	-
Diaphragm Shape	-
Surround	-
Voice Coil Diameter	1 in - 25 mm
Voice Coil Winding Material	-
Voice Coil Former Material	Kapton
Flux Density	-
Ferrofluid	Yes
Connection type	-
Recommended Crossover Frequency	-

### FREQUENCY RESPONSE AND IMPEDANCE CURVE <sup>6 7</sup>



### T/S PARAMETERS

8 Ohm

Resonance frequency	Fs	1800 Hz
DC Resistance	Re	5 Ohm
Mechanical Q Factor	Qms	0
Electrical Q Factor	Qes	0
Total Q Factor	Qts	0
BI Factor	Bl	-
Effective Moving Mass	Mms	-
Suspension Compliance	Cms	-
Effective Piston Diameter	D	0 -
Effective piston area	Sd	0 -
Voice Coil Inductance @ 1kHz	Le	-

### NOTES

<sup>1</sup> Nominal power is determined according to AES2-1984 (r2003) standard.

<sup>2</sup> Program Power is defined as 3 dB greater than the Nominal rating.

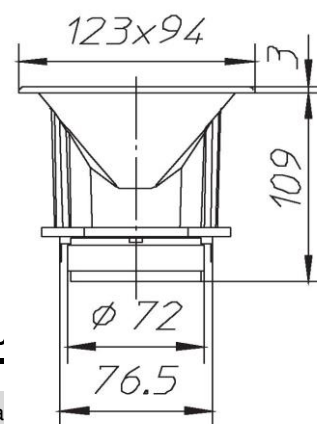
<sup>3</sup> Sensitivity represents the averaged value of acoustic output as measured on the forward central axis of cone, at distance 1m, when connected to 2,83V sine wave test signal.

<sup>4</sup> Frequency range is given as the band of frequencies delineated by the lower and upper limits where the output level drops by 10 dB below the rated sensitivity in half space environment.

<sup>5</sup> Linear Math. Xmax is calculated as (Hvc-Hg)/2 + Hg/4 where Hvc is the coil depth and Hg is the gapdepth.

<sup>6</sup> Frequency response curve is measured on IEC Baffle.

<sup>7</sup> Impedance curve is measured in free air conditions at small signals.



### MOL

Overa

Baffle Cutout Diameter

Flange Thickness

Total Depth

Bolt Circle Diameter

Bolt Holes Quantity and Diameter

Net Weight

Shipping Units

### ORMATION

94x123 mm -

--

3 mm - 0,12 in

112 mm - 4,41 in

80x110 mm -

4 / 5 mm - 0,2 in

0,9 Kg - 1,98 lb

6 Pcs